

## FORESTRY MULCHERS

# UML/LOW

### Fixed-tooth mulcher for low profile tractors.

Its compact size and design features make the UML/LOW forestry mulcher perfect for tracked or wheeled tractors, even in orchards or vineyards. It works with 60-110 hp tractors and shreds bushes, branches and trees up to 8 in in diameter.

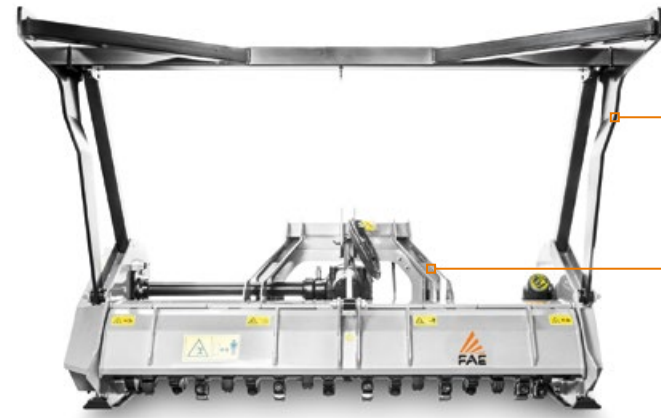
The low PTO helps the main universal joint work at the best angle, and its frame has been reinforced to withstand the axial loads caused when steering the carrier. Choose between blades or durable teeth suitable for rocky soil.



60-110 hp



Ø 8 in max



**Mechanical push frame**  
(optional)

**Heavy duty reinforced frame**



**Adjustable skids**

## MAIN OPTIONS



**Mechanical push frame**  
guides and pushes material  
away from carrier



**Special skids to go  
underground**



**Mulcher designed for tractors with a low profile PTO**

## STANDARD EQUIPMENT

Hydraulic rear hood	PTO shaft with cam clutch
Dual row protection chains	Bolted-on rotor shafts (in forged steel)
Transmission with belts	Welded steel counter-blades
Gearbox with freewheel	Adjustable skids
Possibility to choose Transmission 540 / 1000 rpm	

## OPTIONS

Multiple tooth options	Special skids to go underground
Hydraulic top link	Mechanical guard frame
IVT - CVT or creeper transmission strongly recommended	Forestry tires and carrier belly pan strongly recommended

MODEL	UML/LOW-150	UML/LOW-175	UML/LOW-200
<b>Engine</b> (hp)	60-100	70-110	80-110
<b>PTO</b> (rpm)	540-1000	540-1000	540-1000
<b>Working width</b> (in)	62	72	81
<b>Total width</b> (in)	74	83	93
<b>Weight</b> (lbs)	2050	2337	2624
<b>Rotor diameter</b> (in)	16.7	16.7	16.7
<b>Max shredding diameter</b> (in)	8	8	8
<b>No. teeth</b> type C/3+C/3/SS	32+2	36+2	42+2
type I+C/3/SS	42+2	50+2	58+2

*Data refers to machine as standard set-up. Options may have reflects on weights and dimensions. The technical data in this catalogue may be altered without prior notice.*

## ROTOR TYPE C



**TOOTH C/3**  
(standard)



**TOOTH C/3/HD**  
(option)



**BLADE BL**  
(option - requires  
adaptor)



**TOOTH K/3**  
(option)

## ROTOR TYPE I



**TOOTH I**  
(option)



**TOOTH C/3/SS**  
(side scraper)