

# FORESTRY MULCHERS UMH/MEGA

Forestry mulcher for PTO tractors with fixed tooth rotor.

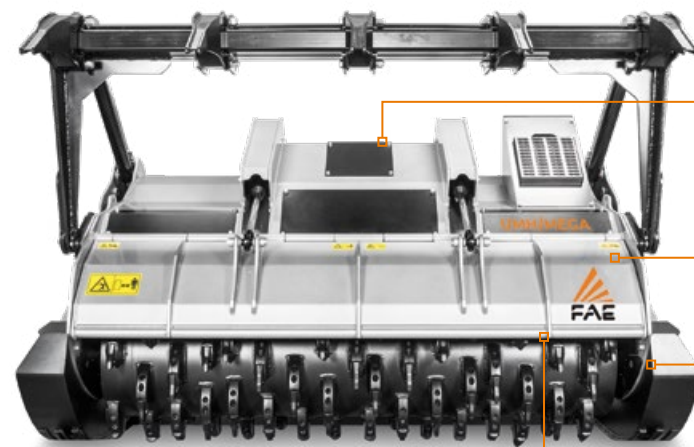
UMH/MEGA is a unique forestry mulcher. It is designed for the most powerful tractors available, and allows you to work large areas in a quick and effective way. The UMH/MEGA was built for operators seeking a highly

productive mulcher combined with an extremely efficient tiller. It can mulch trees up to 20 in diameter and grind at a depth of 10 in, all in one machine.

 350-500 hp

 Ø 20 in max

 Depth 10 in



**Z style self-ranging system for the PTO drive shaft/gearbox** helps keep the correct operating angle between the PTO shaft and the power take-off

**Three rows of forged and hardened interchangeable counter-blades** for the longest working life while providing a finer product



**Aggressive body design** the protruding rotor allows more material to process without dragging

**Inner anti wear clad plates FCP** absorbs wear while protecting the frame



**Standard hydraulic clutch transmission** protects the transmission at PTO engagement for smooth starting and improves machine performance

**Adjustable extended 3 point hitch** fits perfectly with any type of tractor

**Side transmission with belts in Poly-Chain® Carbon** for longer lasting performance

## MAIN OPTIONS



**Hydraulically adjustable skids** allow the rotor to penetrate deeply into the soil for grinding stumps and roots



**W style self-aligning device between PTO drive shaft/gearbox** allows the mulcher to work at several angles without damaging the PTO



**Hydraulic push frame** guides and pushes material away from carrier



**Additional ripper for push frame** helps with the positioning of standing material while mulching

## STANDARD EQUIPMENT

Hydraulic rear hood	Hydraulic clutch transmission
Inner anti wear clad plates FCP	Gearbox with freewheel
Adjustable extended 3 point linkage	Gearbox with oil cooling system
Enclosed machine body	PTO shaft
Centralized greasing hub	Bolted-on rotor shafts (in forged steel)
Hydraulic hoses integrated in the frame	Hydraulic top link
Cylinder protection	Z style self ranging system of the PTO drive shaft/gearbox
Inside lateral protection	Forged and hardened interchangeable counter-blades
Dual row protection chains	Third row of interchangeable forged and hardened counter-blades
Poly-Chain® belts transmission	

## OPTIONS

Multiple tooth options	Special skids to go underground
W style self-aligning device between PTO drive shaft/gearbox	Hydraulic guard frame
Hydraulically adjustable skids	Extra ripper for push frame
IVT - CVT or creeper transmission strongly recommended	Forestry tires and carrier belly pan strongly recommended

MODEL	UMH/MEGA-225	UMH/MEGA-250
Engine (hp)	350-500	350-500
PTO (rpm)	1000	1000
Working width (in)	91	101
Total width (in)	111	120
Weight (lbs)	13162	13933
Rotor diameter (in)	35.8	35.8
Max shredding diameter (in)	20	20
Max working depth (in)	10	10
No. teeth type A/3+MH/3+BAZ	94+2 +4	106+2+4

Data refers to machine as standard set-up. Options may have reflects on weights and dimensions. The technical data in this catalogue may be altered without prior notice.

## ROTOR TYPE A



TOOTH A/3 (standard)



TOOTH A/3/HD (option)



TOOTH MH/3 (side scraper)



TOOTH BAZ (side scraper)