

FORESTRY TILLERS

SSM

Fixed tooth tiller for medium/high power tractors.

The SSM has been designed and built to be used with medium to high-power tractors (170 to 300 hp). It clears land perfectly, shredding logs up to 20 in in diameter at a max. depth of 16 in. SSM also comes in an HP model for tractors up to 300 hp. Both models can be equipped

with Standard or Heavy Duty teeth to work in different soils and ensure the superb performance required to meet different needs. Available options include an adjustable hood grille, a dozing blade and a rear roller for professional results.



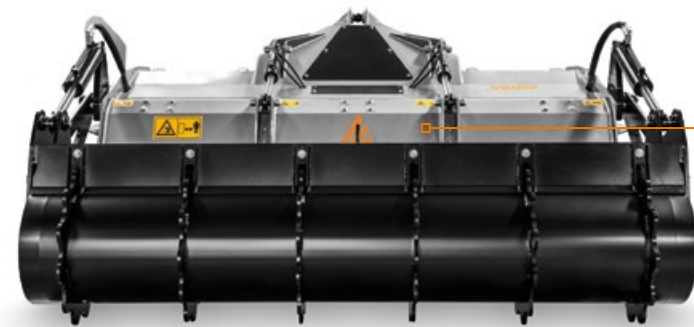
170-300 hp



Ø 20 in max



Depth 16 in

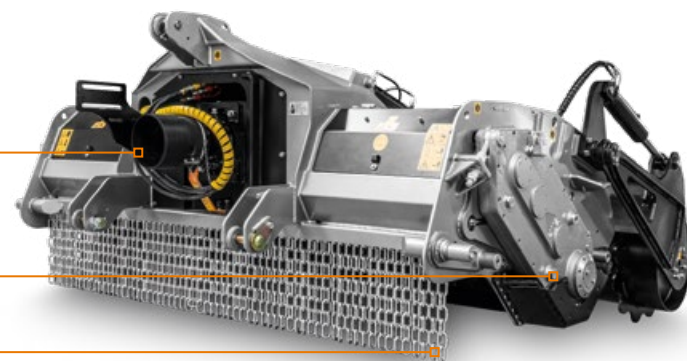


Adjustable Hardox® counter blade

Z style self-aligning system for the PTO drive shaft/gearbox helps keep the correct operating angle between the PTO shaft and the power take-off

Stronger transmission for tractors up to 300 hp power (SSM/HP-200, SSM/HP-225 and SSM/HP-250)

Protection chains



MAIN OPTIONS



W style self aligning device between PTO drive shaft/gearbox allows the mulcher to work in several angles without damaging the PTO



Hydraulic controlled roller helps with compaction and working uneven terrain

STANDARD EQUIPMENT

Hydraulically adjustable rear hood	Central PTO shaft with cam clutch
Enclosed, dust-resistant machine body	Interchangeable forged steel rotor shafts
Wear-resistant side plates	Hydraulic top link cylinder
Interchangeable protection chains	Z style self-aligning system
Gear transmission	Adjustable Hardox® counter blade
Freewheel gearbox	PTO shaft support for machine at rest
Side PTO shafts with friction clutches	Side gearbox cooling system (SSM/HP)

OPTIONS

Adjustable hood grille	Dozing blade
Multiple tooth options	Hydraulic support roller
W style self-aligning system	
IVT - CVT or creeper transmission mandatory	Forestry tires and carrier belly pan strongly recommended

MODEL	SSM-200	SSM-225	SSM-250	SSM/HP-200	SSM/HP-225	SSM/HP-250
Engine (hp)	170-250	170-250	170-250	170-300	170-300	170-300
PTO (rpm)	1000	1000	1000	1000	1000	1000
Working width (in)	82	91	101	82	91	101
Total width (in)	95	104	114	95	104	114
Weight (lbs)	6945	7496	8047	7055	7606	8157
Rotor diameter (in)	26.4	26.4	26.4	26.4	26.4	26.4
Max shredding diameter (in)	20	20	20	20	20	20
Max working depth (in)	16	16	16	16	16	16
No. teeth type A/3+MH/3	76+4	88+4	102+4	76+4	88+4	102+4

Data refers to machine as standard set-up. Options may have reflects on weights and dimensions. The technical data in this catalogue may be altered without prior notice.

ROTOR TYPE A



TOOTH A/3
(standard)



TOOTH A/3/HD
(option)



TOOTH F/3
(option)



TOOTH MH/3
(side scraper)