

FORESTRY MULCHERS FOR SPECIAL VEHICLES

200/U/PM

Heavy duty hydraulic mulcher for higher horse power carriers.

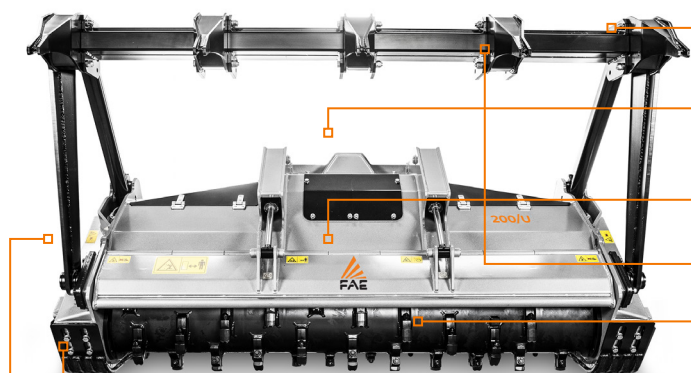
The 200/U/PM combines compact maneuverability with the performance of larger machines. It is strong and highly productive for mulching bushes, branches and trees up to 14 in in diameter.



180-300 hp



Ø 14 in max



Mechanical or hydraulic push frame

Customized attachment plates

Hydraulically controlled rear door
adjust final product size while machine is working size

Ripper teeth for push frame

Possibility of having optional rotor and tooth

Adjustable skids

Customized mechanical or hydraulic transmission

STANDARD EQUIPMENT

Considering the various available options and high level of customization, the final configuration will be specified upon request.

MODEL	200/U/PM-200	200/U/PM-210	200/U/PM-225
Engine (hp)	180-300	180-300	180-300
Flow rate (gal/min)	40-95	40-95	40-95
Pressure (PSI)	3626-6019	3626-6019	3626-6019
Working width (in)	81	85	91
Total width (in)	97	101	106
Weight (lbs)	6526	6680	6878
Rotor diameter (in)	19.7	19.7	19.7
Max shredding diameter (in)	14	14	14
No. teeth type C/3+C/3/SS	42+2	46+2	46+2

Data refers to machine as standard set-up. Options may have reflects on weights and dimensions. The technical data in this catalogue may be altered without prior notice.

ROTOR TYPE C



TOOTH C/3
(standard)



TOOTH C/3/HD
(option)



TOOTH STCL/3
(option)



TOOTH K/3
(option)

ROTOR TYPE I



TOOTH I
(option)



TOOTH C/3/SS
(side scraper)