

## FORESTRY MULCHERS FOR SPECIAL VEHICLES

# 140/U/PM

Heavy duty hydraulic mulcher for higher horse power carriers.

The 140/U/PM is the smallest model in the product line. Its small size makes it ideal for clearing corridors in the woods for seismic surveys and oil exploration. The sturdy frame means it can be used with tracked vehicles.



150-220 hp



Ø 10 in max



Mechanical or hydraulic push frame

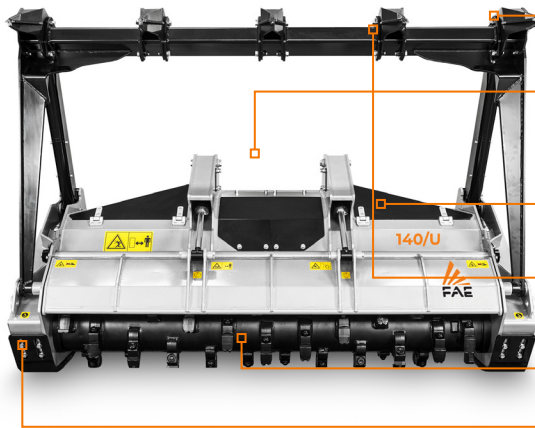
Customized attachment plate

Hydraulically controlled hood to adjust final product size

Ripper teeth for push frame

Possibility of having optional rotor and tooth

Adjustable skids



### STANDARD EQUIPMENT

Considering the various available options and high level of customization, the final configuration will be specified upon request.

MODEL	140/U/PM-140	140/U/PM-150	140/U/PM-175	140/U/PM-200	140/U/PM-225
Engine (hp)	150-220	150-220	150-220	150-220	150-220
Flow rate (gal/min)	34-55	34-55	34-55	34-55	34-55
Pressure (PSI)	3600-5800	3600-5800	3600-5800	3600-5800	3600-5800
Working width (in)	55	62	72	81	91
Total width (in)	69	76	85	95	104
Weight (lbs)	3439	3527	3748	3968	4189
Rotor diameter (in)	17.7	17.7	17.7	17.7	17.7
Max shredding diameter (in)	10	10	10	10	10
No. teeth type C/3+C/3/SS	28+4	32+4	38+4	42+2	48+2

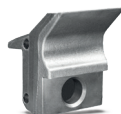
#### ROTOR TYPE C



TOOTH C/3 (standard)



TOOTH C/3/HD (option)



BLADE BL (option)

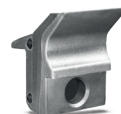


TOOTH STCL/3 (option)



TOOTH K/3 (option)

#### ROTOR TYPE BL



BLADE BL (option)

#### ROTOR TYPE I



TOOTH I (option)



TOOTH C/3/SS (side scraper)