

FORESTRY MULCHERS

UMH/S

Forestry mulchers for PTO tractors with fixed tooth rotor.

The UMH is FAE's top of the line tractor mounted forestry mulcher. It is rated for trees up to 18 in diameter and is designed to work with high horsepower tractors. The hydrodynamic joints and the Spike Pro counter-blades guarantee optimal performance and productivity. The ergonomics of the new, fully enclosed double layer "dustproof" frame is designed for maximum safety

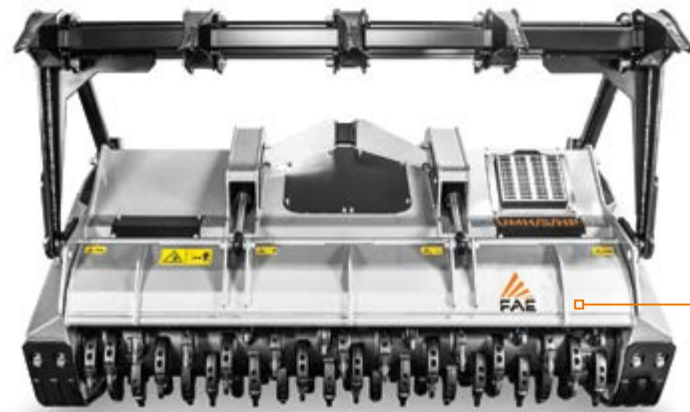
of the work and the operator. Finally, the large diameter of the rotor and the new Spike Pro counter-blades provide excellent homogenous shredding results. Backed by FAE's unparalleled engineering expertise, UMH/S/HP is built to last and delivers the maximum return on your investment.



240-500 hp



Ø 18 in max



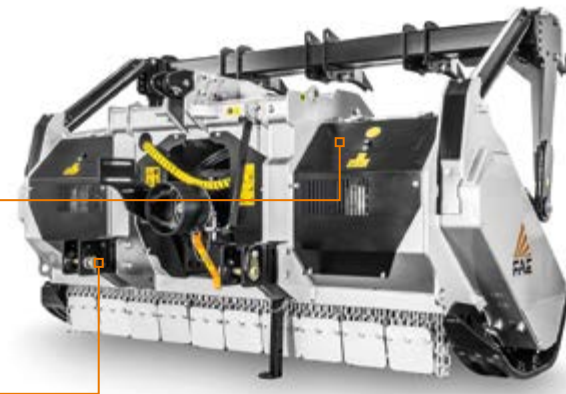
Spike Control Pro and their distribution produce a finer shredding result



Centralized greasing hub for easier maintenance



Adjustable extended 3 point hitch fits perfectly with any kind of tractor



MAIN OPTIONS



W style self aligning device between PTO drive shaft/gearbox allows the mulcher to work at several angles without damaging the PTO



Hydraulic push frame guides and pushes material away from carrier



Additional ripper for push frame helps with the positioning of standing material while mulching



Standard hydraulic clutch transmission (UMH/S) protects the transmission at PTO engagement for smooth starting and improves machine performance

STANDARD EQUIPMENT

Hydraulic rear hood	Gearbox with oil cooling system (UMH/S/HP)
Inside lateral protection	PTO shaft
Adjustable extended 3 point linkage	Cam clutch on side PTO (UMH/S)
Enclosed machine body	Bolted-on rotor shafts (in forged steel)
Centralized greasing hub	Hydraulic top link
Hydraulic hoses integrated in the frame	Z style self ranging system of the PTO drive shaft/gearbox
Cylinder protection	Gearbox with freewheel
Bolted on protection chains	Interchangeable bolted on spike PRO counter-blade
Transmission with belts (UMH/S)	Adjustable skids
Poly-Chain® belts transmission (UMH/S/HP)	Supporting service leg
Hydraulic clutch transmission (UMH/S/HP)	

OPTIONS

Bolt-on chain's protection plates	Special skids to go underground
Hydraulic clutch transmission (UMH/S)	Hydraulic guard frame
Multiple tooth options	Extra ripper for guard frame
W style self aligning device between PTO drive shaft/gearbox	
IVT - CVT or creeper transmission strongly recommended	Forestry tires and carrier belly pan strongly recommended

MODEL	UMH/S-225	UMH/S-250	UMH/S/HP-225	UMH/S/HP-250
Engine (hp)	240-400	250-400	350-500	350-500
PTO (rpm)	1000	1000	1000	1000
Working width (in)	91	101	91	101
Total width (in)	109	118	109	118
Weight including rotor type C/3 (lbs)	9259	9789	11244	11464
type A/3 (lbs)	9943	10274	11905	12125
Rotor diameter (in)	26.8	26.8	26.8	26.8
Max shredding diameter (in)	16	16	18	18
No. teeth type A/3+MH	88+2	96+2	88+2	96+2
type C/3+C/3/SS	54+2	60+2	54+2	60+2

Data refers to machine as standard set-up. Options may have reflects on weights and dimensions. The technical data in this catalogue may be altered without prior notice.

ROTOR TYPE A



TOOTH A/3 (standard)



TOOTH A/3/HD (option)



TOOTH MH (side scraper)

ROTOR TYPE C



TOOTH C/3 (standard)



TOOTH C/3/HD (option)



TOOTH K/3 (option)



TOOTH C/3/SS (side scraper)