

FORESTRY TILLERS

SSM

Fixed tooth tiller for medium/high power tractors.

The SSM has been designed and built to be used with medium to high-power tractors (150 to 300 hp). It clears land perfectly, shredding logs up to 20 in in diameter at a max. depth of 16 in. SSM also comes in an HP model for tractors up to 300 hp. Both models can be equipped

with Standard or Heavy Duty teeth to work in different soils and ensure the superb performance required to meet different needs. Available options include forestry counter blades for wood clearing, a rear roller, and an automatic universal joint alignment system.



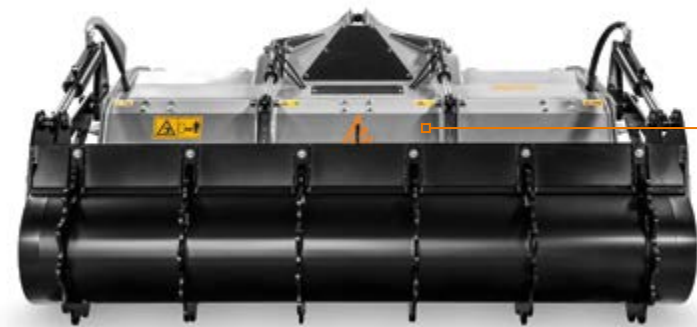
150-300 hp



Ø 20 in max



Depth 16 in

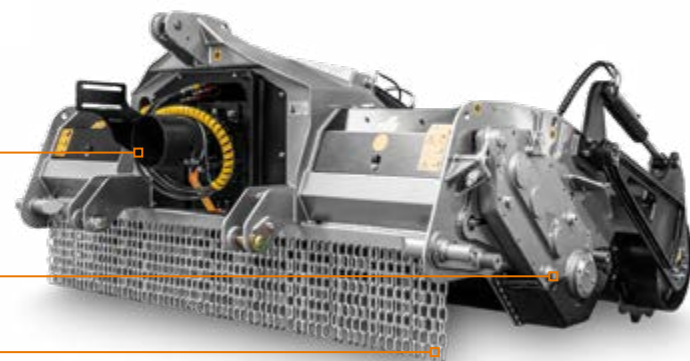


Adjustable Hardox® counter-blade

Z style self-ranging system for the PTO drive shaft/gearbox helps keep the correct operating angle between the PTO shaft and the power take-off

Stronger transmission for tractors up to 300 hp power (SSM/HP-200, SSM/HP-225 and SSM/HP-250)

Protection chains



MAIN OPTIONS



W style self aligning device between PTO drive shaft/gearbox allows the mulcher to work in several angles without damaging the PTO



Adjustable counter-blade (forest) for additional processing of wood material



Hydraulic controlled roller helps with compaction and working uneven terrain

STANDARD EQUIPMENT

Hydraulic rear hood	PTO shaft with cam clutch
Enclosed machine body	Bolted-on rotor shafts (in forged steel)
Inside lateral protection	Hydraulic top link
Protection chains	Z style self ranging system of the PTO drive shaft/gearbox
Transmission with side gearbox	Flat pressed welded steel counter-blades
Gearbox with freewheel	Adjustable Hardox® counter-blade
Friction clutches	Centralized greasing hub

OPTIONS

Bolted grid on rear hood	Adjustable counter-blade (forest)
Multiple tooth options	Dozing blade
W style self aligning device between PTO drive shaft/gearbox	Hydraulic support roller
IVT - CVT or creeper transmission mandatory	Forestry tires and carrier belly pan strongly recommended

MODEL	SSM-200	SSM-225	SSM-250	SSM/HP-200	SSM/HP-225	SSM/HP-250
Engine (hp)	150-250	170-250	190-250	150-300	170-300	190-300
PTO (rpm)	1000	1000	1000	1000	1000	1000
Working width (in)	82	91	101	82	91	101
Total width (in)	95	104	114	95	104	114
Weight (lbs)	6812	7363	7915	6923	7474	8025
Rotor diameter (in)	26.4	26.4	26.4	26.4	26.4	26.4
Max shredding diameter (in)	20	20	20	20	20	20
Max working depth (in)	16	16	16	16	16	16
No. teeth type A/3+MH	76+4	88+4	102+4	76+4	88+4	102+4

Data refers to machine as standard set-up. Options may have reflects on weights and dimensions. The technical data in this catalogue may be altered without prior notice.

ROTOR TYPE A



TOOTH A/3
(standard)



TOOTH A/3/HD
(option)



TOOTH F/3
(option)



TOOTH MH
(side scraper)