

FORESTRY MULCHERS FOR EXCAVATORS

BL2/EX

The mulcher with Bite Limiter technology for small and midsize excavators.

BL2/EX for 8-14 ton midsize excavators mulches trees with a max. diameter of 6 in and is available in two working widths: 39 and 49 in. The rotor features Bite Limiter technology. Steel profiles limit the teeth depth of action, which reduces power demand and guarantees speed and exceptional performance every time.

Two types of fixed teeth can be used with the rotor: BL/MINI blades and C/3/MINI teeth. BL2/EX has a VT (Variable Torque) motor for noticeably better performance, increased torque when needed, and minimal risk of rotor stalling.



Sonic System



26-37 gal/min



Ø 6 in max



8-14 t



Hydraulic piston motor
Variable displacement
(VT Variable torque)



Hydraulic front trap door
helps contain debris and achieves finer sizing (optional)



Sonic System

is a new automatic intelligent system that manages the hydraulic transmission. It makes the mulching machine to perform at the maximum capacity in all conditions (BL2/EX/SONIC)

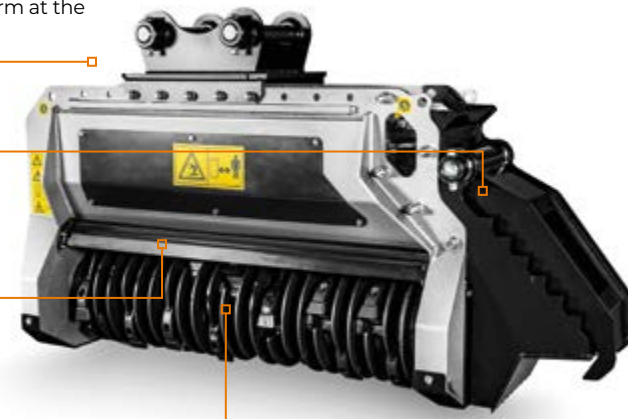
Custom made thumb bracket
to move and reposition material



Dedicated rear hood (deflector)
controls mulched material output for greater safety



Bite Limiter rotor
special steel limiter rings control the depth of cut



MAIN OPTIONS



Attachment bracket



Thumb bracket and hydraulic thumb
useful in moving material to be mulched



Hydraulic front hood
for optimal mulching, reduces the ejection of mulched material

STANDARD EQUIPMENT

55/38cc variable torque hydraulic piston motor (26-37 gpm) (BL2/EX/VT)	55cc variable torque hydraulic piston motor (26-37 gpm) (BL2/EX/SONIC)
Motor enclosed in the frame	V-belts transmission (BL2/EX/VT)
Flow control system valve	Bulkhead for hydraulic connections
Diverter valve	Bite Limiter rotor
Hydraulic front hood	Dedicated rear hood (deflector)
Safety and anticavitation valve	Sonic System (BL2/EX/SONIC)
Enclosed / anti dust machine body	Poly Chain® belt transmission (BL2/EX/SONIC)

OPTIONS

Customized setting hydraulic motor (BL2/EX/VT)	Customized attachment bracket with pins
Hydraulic front hood for excavator AUX line (BL2/EX/VT)	Customized attachment bracket with pins and leg
Front fixed thumb bracked	Multiple tooth options
Hydraulic thumb	
Not supplied with hoses	Case drain required

MODEL	BL2/EX/VT-100	BL2/EX/VT-125	BL2/EX/SONIC-100	BL2/EX/SONIC-125
Flow rate (gal/min)	26-37	26-37	26-37	26-37
Pressure (PSI)	2600-5080	2600-5080	2600-5080	2600-5080
Excavator weight (t)	8-14	8-14	8-14	8-14
Working width (in)	39	49	39	49
Weight (lbs)	1257	1378	1257	1378
Rotor diameter (in)	14.6	14.6	14.6	14.6
Max shredding diameter (in)	6	6	6	6
No. blades type BL/MINI	18	22	18	22

Data refers to machine as standard set-up. Options may have reflects on weights and dimensions. The technical data in this catalogue may be altered without prior notice.

ROTOR TYPE BL



BLADE BL/MINI
(standard)



TOOTH C/3/MINI
(option)