

## FORESTRY MULCHERS FOR EXCAVATORS

# BL2/EX

The mulcher with Bite Limiter technology for small and midsize excavators.

BL2/EX for 8-14 ton midsize excavators mulches trees with a max. diameter of 15 cm and is available in two working widths: 100 cm and 124 cm. The rotor features Bite Limiter technology. Steel profiles limit the teeth depth of action, which reduces power demand and guarantees speed and

exceptional performance every time. Two types of fixed teeth can be used with the rotor: BL/MINI blades and C/3/MINI teeth. BL2/EX has a VT (Variable Torque) motor for noticeably better performance, increased torque when needed, and minimal risk of rotor stalling.



Sonic System



100-140 L/min



Ø 15 cm max



8-14 t



**Hydraulic piston motor**  
Variable displacement  
(VT Variable torque)



**Hydraulic front trap door**  
helps contain debris and achieves finer sizing (optional)



### Sonic System

is a new automatic intelligent system that manages the hydraulic transmission. It makes the mulching machine to perform at the maximum capacity in all conditions (BL2/EX/SONIC)

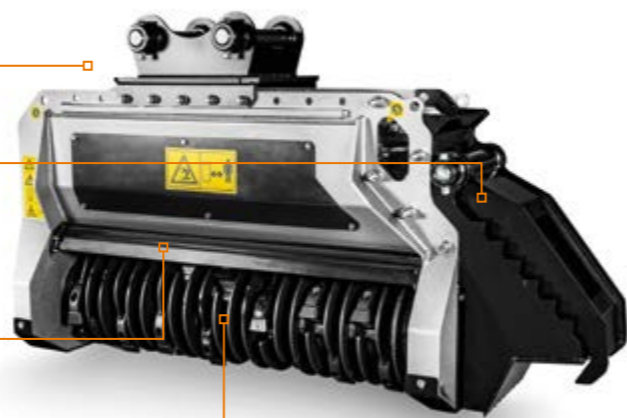
**Custom made thumb bracket**  
to move and reposition material



**Dedicated rear hood (deflector)**  
controls mulched material output for greater safety



**Bite Limiter rotor**  
special steel limiter rings control the depth of cut



## MAIN OPTIONS



**Attachment bracket**



**Thumb bracket and hydraulic thumb**  
useful in moving material to be mulched



**Hydraulic front hood**  
for optimal mulching, reduces the ejection of mulched material

## STANDARD EQUIPMENT

55/38cc variable torque hydraulic piston motor (BL2/EX/VT)	Motor enclosed in the frame
55cc variable torque hydraulic piston motor (BL2/EX/SONIC)	V-belts transmission (BL2/EX/VT)
Flow control system valve	Bulkhead for hydraulic connections
Diverter valve	Bite Limiter rotor
Hydraulic front hood	Dedicated rear hood (deflector)
Safety and anticavitation valve	Sonic System (BL2/EX/SONIC)
Enclosed / anti dust machine body	Poly Chain® belt transmission (BL2/EX/SONIC)

## OPTIONS

Customized setting hydraulic motor (BL2/EX/VT)	Customized attachment bracket with pins
Hydraulic front hood for excavator AUX line (BL2/EX/VT)	Customized attachment bracket with pins and leg
Front fixed thumb bracketed	Multiple tooth options
Hydraulic thumb	

MODEL	BL2/EX/VT-100	BL2/EX/VT-125	BL2/EX/SONIC-100	BL2/EX/SONIC-125
<b>Flow rate</b> (L/min)	100-140	100-140	100-140	100-140
<b>Pressure</b> (bar)	180-350	180-350	180-350	180-350
<b>Excavator weight</b> (t)	8-14	8-14	8-14	8-14
<b>Working width</b> (mm)	1000	1240	1000	1240
<b>Weight</b> (kg)	570	625	570	625
<b>Rotor diameter</b> (mm)	370	370	370	370
<b>Max shredding diameter</b> (mm)	150	150	150	150
<b>No. blades</b> type BL/MINI	18	22	18	22

Data refers to machine as standard. The technical data in this catalogue may be altered without prior notice.

## ROTOR TYPE BL



**BLADE BL/MINI**  
(standard)



**TOOTH C/3/MINI**  
(option)