

FORESTRY MULCHERS

UML/LOW

Fixed-tooth mulcher for low profile tractors.

Its compact size and design features make the UML/LOW forestry mulcher perfect for tracked or wheeled tractors, even in orchards or vineyards. It works with 60-110 hp tractors and shreds bushes, branches and trees up to 20 cm in diameter.

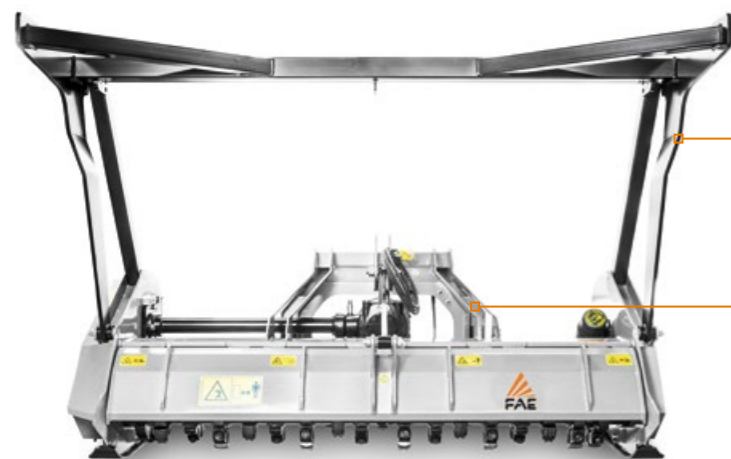
The low PTO helps the main universal joint work at the best angle, and its frame has been reinforced to withstand the axial loads caused when steering the carrier. Choose between blades or durable teeth suitable for rocky soil.



60-110 hp

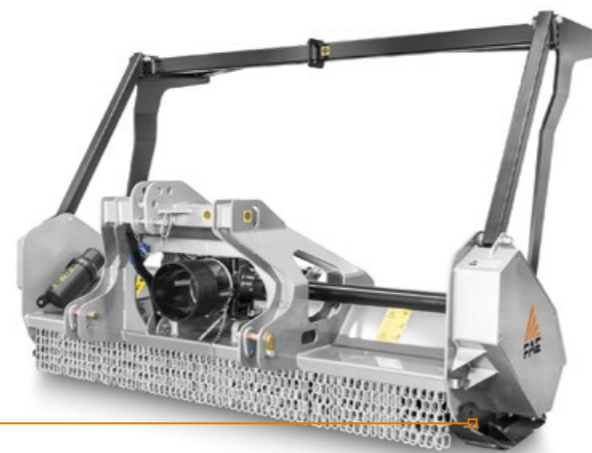


Ø 20 cm max



Mechanical push frame
(optional)

Heavy duty reinforced frame



Adjustable skids

STANDARD EQUIPMENT

| | |
|---|--|
| Hydraulic rear hood | PTO shaft with cam clutch |
| Dual row protection chains | Bolted-on rotor shafts (in forged steel) |
| Transmission with belts | Welded steel counter-blades |
| Gearbox with freewheel | Adjustable skids |
| Possibility to choose Transmission 540 / 1000 rpm | |

OPTIONS

| | |
|------------------------|---------------------------------|
| Multiple tooth options | Special skids to go underground |
| Hydraulic top link | Mechanical guard frame |

| MODEL | UML/LOW-150 | UML/LOW-175 | UML/LOW-200 |
|------------------------------------|-------------|-------------|-------------|
| Tractor (hp) | 60-100 | 70-110 | 80-110 |
| PTO (rpm) | 540-1000 | 540-1000 | 540-1000 |
| Working width (mm) | 1582 | 1822 | 2062 |
| Total width (mm) | 1877 | 2117 | 2357 |
| Weight (kg) | 930 | 1060 | 1190 |
| Rotor diameter (mm) | 425 | 425 | 425 |
| Max shredding diameter (mm) | 200 | 200 | 200 |
| No. teeth type C/3+C/3/SS | 32+2 | 36+2 | 42+2 |
| type I+C/3/SS | 42+2 | 50+2 | 58+2 |

Data refers to machine as standard. The technical data in this catalogue may be altered without prior notice.

MAIN OPTIONS



Mechanical push frame
guides and pushes material
away from carrier



**Special skids to go
underground**



Mulcher designed for tractors with a low profile PTO

ROTOR TYPE C



TOOTH C/3
(standard)



TOOTH C/3/HD
(option)



BLADE BL
(option - requires
adaptor)



TOOTH K/3
(option)

ROTOR TYPE I



TOOTH I
(option)



TOOTH C/3/SS
(side scraper)