

FORESTRY MULCHERS FOR SPECIAL VEHICLES

500/U/PM

Heavy duty hydraulic mulcher for higher horse power carriers.

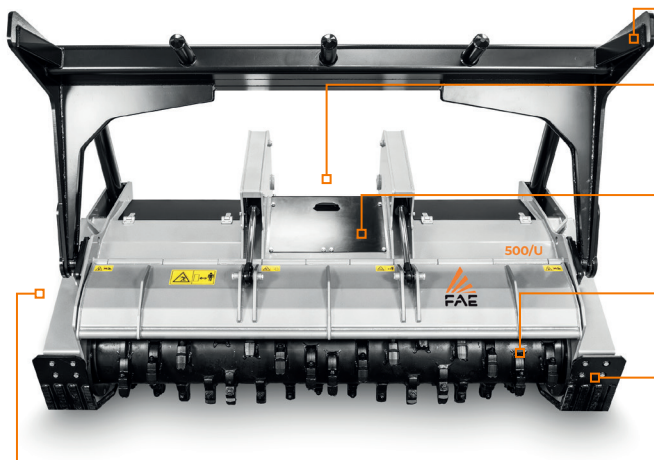
The 500/U/PM forestry mulcher is the top of the line for special vehicles, capable of mulching logs up to 50 cm in diameter. The transmission is rated for use up to 600 hp, so it can work with the most powerful vehicles on the market.



400-600 hp



Ø 50 cm max



Mechanical or hydraulic push frame (optional)

Customized attachment plates

Hydraulically controlled hood to adjust final product

Multiple tooth options

Adjustable skids

Customized hydraulic transmission

STANDARD EQUIPMENT

Considering the various available options and high level of customization, the final configuration will be specified upon request.

MODEL	500/U/PM-225	500/U/PM-250
Engine (hp)	400-600	400-600
Flow rate (L/min)	400-750	400-750
Pressure (bar)	250-400	250-400
Working width (mm)	2320	2560
Total width (mm)	2860	3100
Weight with C-type rotor (kg)	4710	4960
Weight with A-type rotor (kg)	5050	5200
Rotor diameter C/3 (mm)	680	680
Rotor diameter A/3 (mm)	680	680
Max shredding diameter (mm)	500	500
No. teeth type A/3+MH	88+2	96+2
type C/3+C/3/SS	54+2	60+2

Data refers to machine as standard. The technical data in this catalogue may be altered without prior notice.

ROTOR TYPE A



TOOTH A/3 (standard)



TOOTH A/3/HD (option)



TOOTH MH (side scraper)

ROTOR TYPE C



TOOTH C/3 (standard)



TOOTH C/3/HD (option)



TOOTH K/3 (option)



TOOTH STCL/3 (option)



TOOTH C/3/SS (side scraper)