

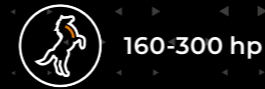
MULTITASKS

# SFM

## Stone crusher, forestry tiller and mulcher for PTO tractors with fixed tooth rotor.

The SFM is the answer to a very demanding market and tough applications. This unit combines the functionality and efficiency of a forestry mulcher, forestry tiller and rock crusher. The SFM is equipped with interchangeable bolt-on counter blades,

FCP inserts (FAE clade plate) and grill making this machine unique in its category. These options along with FAE's new smoother, more aggressive design differentiate FAE from the rest.



160-300 hp

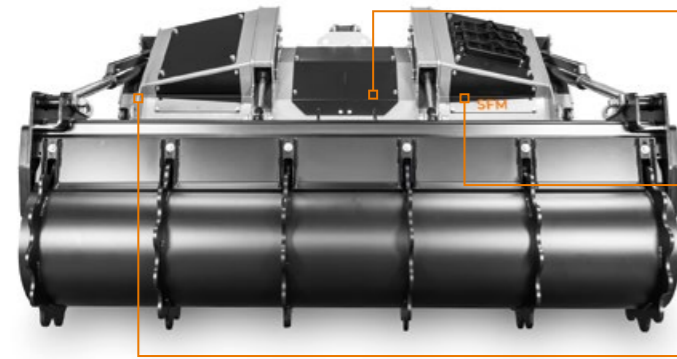


Ø 20 cm max (stones)  
Ø 35 cm max (trees)  
Ø 45 cm max (stump)



Depth 30 cm

**Z style self ranging system of the PTO drive shaft/gearbox** helps keep the correct operating angle between the PTO shaft and the power take-off



**Hydraulically controlled rear door** adjust final product size while machine is working

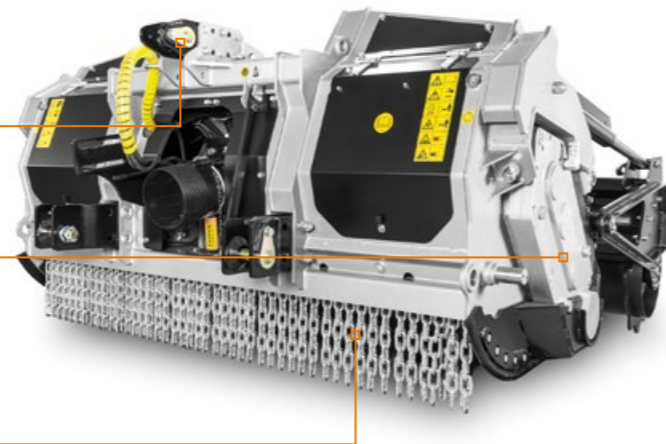


**Forged and hardened interchangeable counter-blades** for longest working life



**Adjustable extended 3 point linkage** fits perfectly with any kind of tractor

**Transmission with side gearbox** maximize the power delivered to the rotor

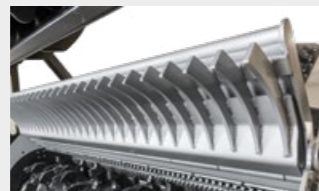


**System protection chains** the chains are fixed on plate and these plates screwed to the frame

### MAIN OPTIONS



**W style self aligning device between PTO drive shaft/gearbox** allows the machine to work at several angles without damaging the PTO



**Bolted grid on rear door** allows more adjustment of the final material size



**Hydraulically adjustable skids** allow you to control the rotor depth and prevent material from exiting out the sides



**Hydraulic support roller (D. 36 cm - D. 51 cm)** helps with compaction and working uneven terrain

### STANDARD EQUIPMENT

Hydraulic rear hood	Side gearbox with oil cooling system
Inner anti wear clad plates FCP	Gearbox with freewheel
Interchangeable inner antiwear plates in Hardox®	Friction clutches
Adjustable extended 3 point linkage	PTO shaft with cam clutch
Transmission with side gearbox	Bolted-on rotor shafts (in forged steel)
Hydraulic hoses integrated in the frame	Hydraulic top link
Cylinder protection	Z style self ranging system of the PTO drive shaft/gearbox
Inside lateral protection	Forged and hardened interchangeable counter-blades
Bolted on protection chains	Adjustable Hardox® counter-blade

### OPTIONS

Bolted grid on rear hood	Hydraulically adjustable skids
Bolt-on chain's protection plates	Hydraulic push frame
High Speed Transmission	Dozing blades
W style self aligning device between PTO drive shaft/gearbox	Hydraulic support roller

MODEL	SFM-200	SFM-225	SFM-250
<b>Tractor</b> (hp)	160-300	170-300	190-300
<b>PTO</b> (rpm)	1000	1000	1000
<b>Working width</b> (mm)	2070	2310	2550
<b>Total width</b> (mm)	2390	2630	2870
<b>Weight</b> (kg)	3750	4050	4350
<b>Rotor diameter</b> (mm)	670	670	670
<b>Max shredding diameter</b> (mm)	stones (mm)	200	200
	trees (mm)	350	350
	stump (mm)	450	450
<b>Max working depth</b> (mm)	300	300	300
<b>No. teeth</b> type F/3+STC/3/FP+BAZ	50+6+4	58+6+4	62+6+4

Data refers to machine as standard. The technical data in this catalogue may be altered without prior notice.



**TOOTH F/3** (standard)



**TOOTH STC/3/FP** (side scraper)



**TOOTH BAZ** (side scraper)