

## FORESTRY MULCHERS

# UMH/MEGA

### Forestry mulcher for PTO tractors with fixed tooth rotor.

UMH/MEGA is a unique forestry mulcher. It is designed for the most powerful tractors available, and allows you to work large areas in a quick and effective way. The UMH/MEGA was built for operators seeking a

highly productive mulcher combined with an extremely efficient tiller. It can mulch trees up to 50 cm diameter and grind at a depth of 25 cm, all in one machine.



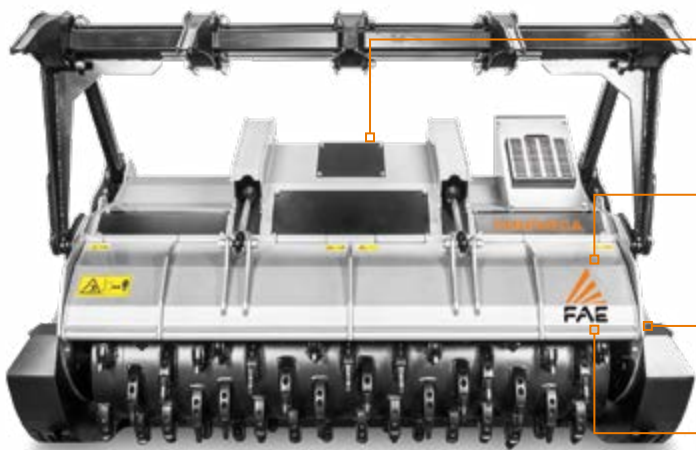
350-500 hp



Ø 50 cm max



Depth 25 cm



**Z style self-ranging system for the PTO drive shaft/gearbox**  
helps keep the correct operating angle between the PTO shaft and the power take-off

**Three rows of forged and hardened interchangeable counter-blades**  
for the longest working life while providing a finer product



**Aggressive body design**  
the protruding rotor allows more material to process without dragging

**Inner anti wear clad plates FCP**  
absorbs wear while protecting the frame



**Standard hydraulic clutch transmission**  
protects the transmission at PTO engagement for smooth starting and improves machine performance

**Adjustable extended 3 point hitch**  
fits perfectly with any type of tractor

**Side transmission with belts in Poly-Chain® Carbon**  
for longer lasting performance

### MAIN OPTIONS



**Hydraulically adjustable skids**  
allow the rotor to penetrate deeply into the soil for grinding stumps and roots



**W style self-aligning device between PTO drive shaft/gearbox**  
allows the mulcher to work at several angles without damaging the PTO



**Hydraulic push frame**  
guides and pushes material away from carrier



**Additional ripper for push frame**  
helps with the positioning of standing material while mulching

### STANDARD EQUIPMENT

Hydraulic rear hood	Hydraulic clutch transmission
Inner anti wear clad plates FCP	Gearbox with freewheel
Adjustable extended 3 point linkage	Gearbox with oil cooling system
Enclosed machine body	PTO shaft
Centralized greasing hub	Bolted-on rotor shafts (in forged steel)
Hydraulic hoses integrated in the frame	Hydraulic top link
Cylinder protection	Z style self ranging system of the PTO drive shaft/gearbox
Inside lateral protection	Forged and hardened interchangeable counter-blades
Dual row protection chains	Third row of interchangeable forged and hardened counter-blades
Poly-Chain® belts transmission	

### OPTIONS

Multiple tooth options	Special skids to go underground
W style self-aligning device between PTO drive shaft/gearbox	Hydraulic guard frame
Hydraulically adjustable skids	Extra ripper for push frame

MODEL	UMH/MEGA-225	UMH/MEGA-250
<b>Tractor</b> (hp)	350-500	350-500
<b>PTO</b> (rpm)	1000	1000
<b>Working width</b> (mm)	2320	2560
<b>Total width</b> (mm)	2820	3060
<b>Weight</b> (kg)	5970	6320
<b>Rotor diameter</b> (mm)	910	910
<b>Max shredding diameter</b> (mm)	500	500
<b>Max working depth</b> (mm)	250	250
<b>No. teeth</b> type A/3+MH	94+2	106+2

### ROTOR TYPE A



**TOOTH A/3**  
(standard)



**TOOTH A/3/HD**  
(option)



**TOOTH MH**  
(side scraper)