

## FORESTRY MULCHERS FOR SPECIAL VEHICLES

# 200/U/PM

Heavy duty hydraulic mulcher for higher horse power carriers.

The 200/U/PM combines compact maneuverability with the performance of larger machines. It is strong and highly productive for mulching bushes, branches and trees up to 35 cm in diameter.



180-300 hp



Ø 35 cm max



Mechanical or hydraulic push frame

Customized attachment plates

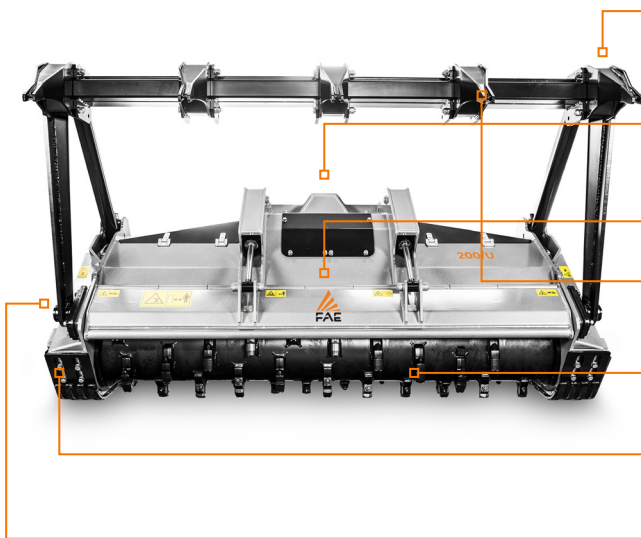
Hydraulically controlled rear door  
adjust final product size while machine is working size

Ripper teeth for push frame

Possibility to have optional rotor and tooth

Adjustable skids

Customized mechanical or hydraulic transmission



### STANDARD EQUIPMENT

Considering the various available options and high level of customization, the final configuration will be specified upon request.

MODEL	200/U/PM-200	200/U/PM-210	200/U/PM-225
Engine (hp)	180-300	180-300	180-300
Flow rate (L/min)	150-360	150-360	150-360
Pressure (bar)	250-415	250-415	250-415
Working width (mm)	2064	2150	2304
Total width (mm)	2464	2560	2704
Weight (kg)	2960	3030	3120
Rotor diameter (mm)	500	500	500
Max shredding diameter (mm)	350	350	350
No. teeth type C/3+C/3/SS	42+2	44+2	46+2

Data refers to machine as standard. The technical data in this catalogue may be altered without prior notice.

### ROTOR TYPE C



TOOTH C/3  
(standard)



TOOTH C/3/HD  
(option)



TOOTH STCL/3  
(option)



TOOTH K/3  
(option)

### ROTOR TYPE I



TOOTH I  
(option)



TOOTH C/3/SS  
(side scraper)